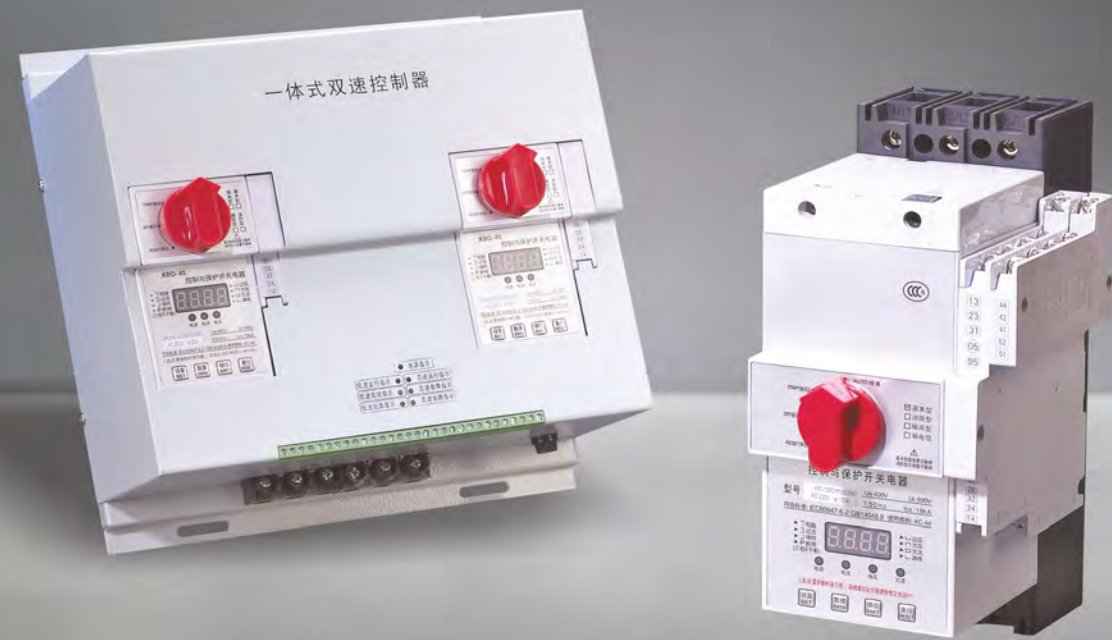


Electrics changes Life,
efficiency leads the Future!



NLDCPS

Control and Protective Switch Series (CPS)

NLD 北陆电气®



>> NLDCPS Series Control and Protective Switch (CPS)

G

Safe

Intelligent

Reliable

Product selection

NLD	CPS	D - 45	C / 33	B	45A	Fk1	2	M	F		
Enterprise code	Product category	Combinatorial form	Frame size	Breaking capacity	Number of poles	Display code	Rated current	Attachment code	Function code	Control voltage	Co-option function



Compliant standard: GB/T14048.9 1EC60947-6-2

Name	Content
Enterprise code	NORTHLAND Electric Co., Ltd
Product category	Control and protective switch
Combinatorial form	None=basic type D=two-speed motor type D3=three-speed motor type J=star delta reduced-voltage starter (45kW and below) J2= star delta reduced-voltage starter (45kW~110kW) Z=self coupling reduced-voltage starter R=resistance reduced-voltage starter N=reversible type S=dual power supply type
Frame size	45,125
Breaking capacity	C= basic type, Y=standard type, H=high breaking type
Number of poles	3 poles: 33(3 poles with 3 protective poles), 30(3 poles without protective poles) 4 poles:44(4 poles with 4 protective poles), 43(4 poles with 3 protective poles), 40(4 poles without protective poles)
Display code	B=Digital tube display E=LCD screen display
Rated current	0.4~125A
Attachment code	FK1=2 NO+1NC+1fault+1 short circuit FK2=2NO+2NC+1fault+1short circuit + transfer L21=2NO+1NC
Function code	None = Motor protection, 2= distribution protection code
Control voltage	Q=380V, M=220V
Co-option function	F= fire protection, L= leakage, G= isolation, T= communication

Working condition

- Surrounding environment temperature: $-5^{\circ}\text{C}\sim 40^{\circ}\text{C}$, daily average temperature $\leq 35^{\circ}\text{C}$
- Altitude $\leq 2000\text{m}$
- When the maximum temperature is $+40^{\circ}\text{C}$, the relative humidity is $\leq 50\%$; when the monthly average minimum temperature is $+20^{\circ}\text{C}$, the relative humidity is $\leq 90\%$
- Protection level: Ip20
- Pollution level: level 3
- Installation category: III for 690V system main circuit, IV for 380V system main circuit and II for control circuit.

Main technical parameters

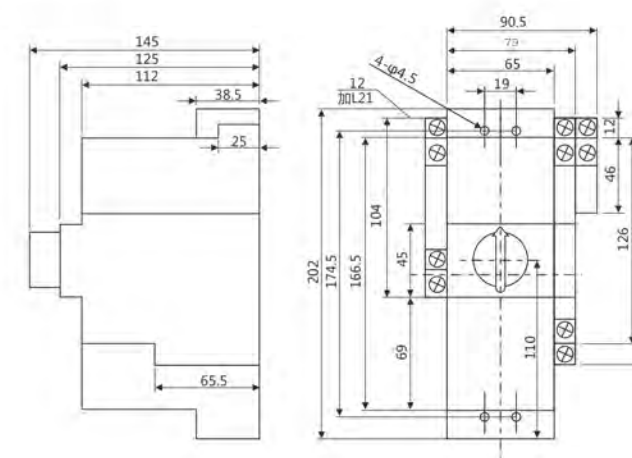
Frame size (A)	Rated current of main body	Rated operating current of controller Ie (A)	Rated operating current adjustment range of controller Ir1 (A)	Control power range for 380V (kW)	Utilization category	Rated voltage (V)	Rated frequency (Hz)	Rated impulse withstand voltage (kV)	Tripping level
45	3	1	0.4~1	0.12~0.37	Motor type AC-42 AC-43 AC-44	400	50/60	8	10
		3	1.2~3	0.55~1.5					
		6.3	2.4~6.3	1.1~3					
	16	12	4~12	1.5~4					
		16	6.4~16	3~7.5					
		32	12.8~32	5.5~15					
125	125	45	18~45	7.5~18.5	Distribution type AC-40 AC-41 AC-45A AC-45B	400	50/60	8	10
		50	20~50	7.5~22					
		63	25.2~63	11~37					
		100	40~100	22~37					
		125	50~125	22~55					



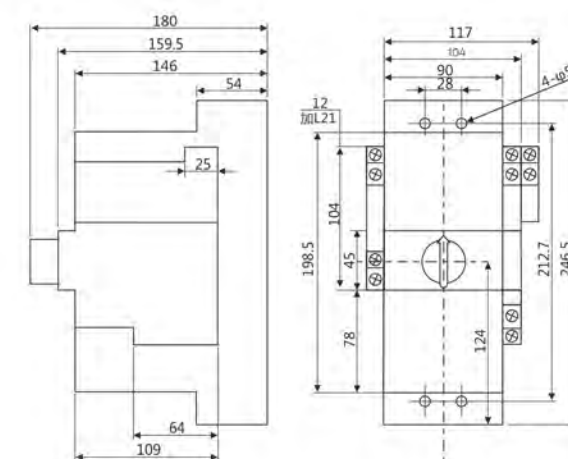
- Making, current carrying and short circuit breaking capacity (precision $\pm 20\%$)

Rated voltage	Shell frame Ie(A)	In (A)	Rated short-circuit breaking capacity		Expected convention test current	Switch life (ten thousand times)	Start/hold capacity (VA)	On/off time (ms)
			400V	690V				
AC400V	45	16	15kA	3kA	30Ie	Electrical:12 Mechanical:120	180/12	9~25/7~20
		32						
		45						
AC690V	125	63	25kA/35kA	5kA	20Ie	Electrical:12 Mechanical:120	370/25	12~35/7~20
		80						
		100						
		125						

Overall and installation dimension



NLDCPS-45/3P installation dimension diagram



NLDCPS-125/3P installation dimension diagram